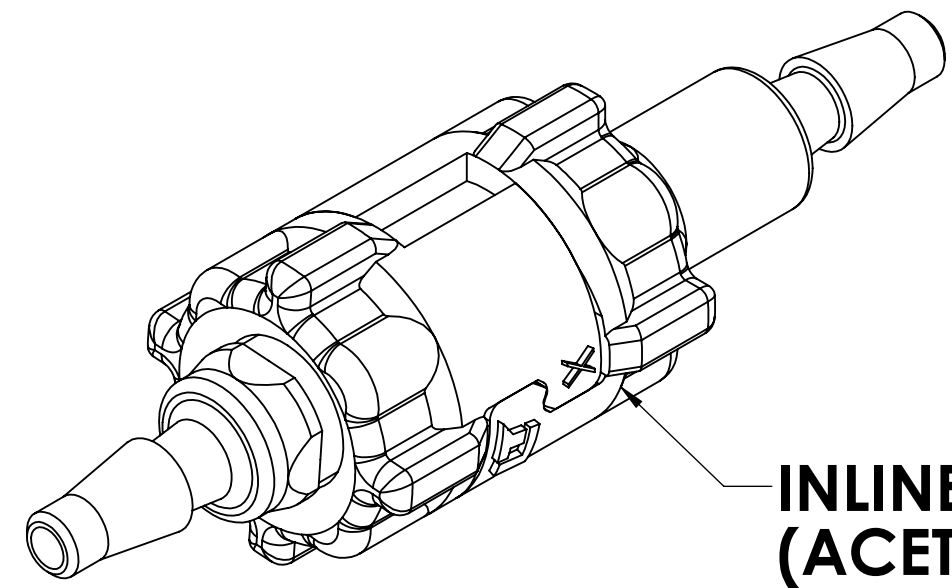
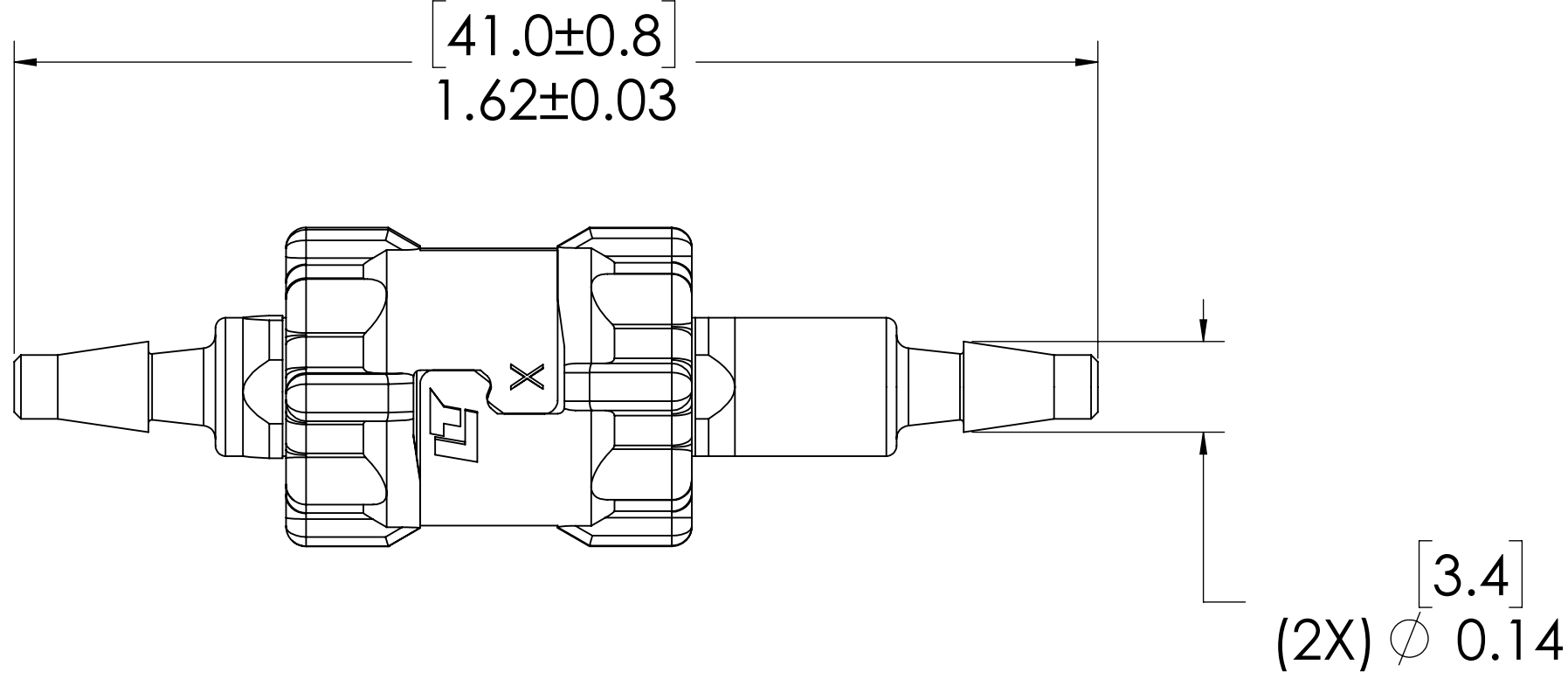
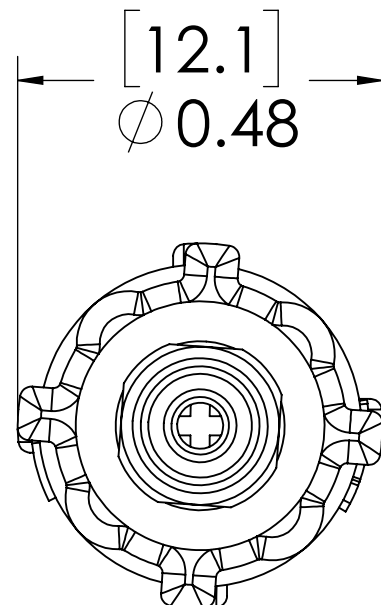


REVISIONS						
SHEET	ZONE	REV.	ECO	DESCRIPTION	DATE	APPROVED
1	ALL	A	50307	INITIAL RELEASE	2/18/2020	HRC




**INLINE COUPLING
(ACETAL)**



- NOTES:**
1. MATERIAL: ACETAL
 2. COLOR: BLACK
 3. O-RING MATERIAL: BUNA-N
 4. O-RINGS LUBRICATED WITH FOOD GRADE SILICONE OIL, 350 CST.

FOR REFERENCE ONLY

<small>UNLESS OTHERWISE SPECIFIED: DIMENSIONS ARE IN INCHES TOLERANCES: FRACTIONAL ± 1/32 ANGULAR: MACH ± 0.5 BEND ± 2 ONE PLACE DECIMAL ± 0.1 TWO PLACE DECIMAL ± 0.01 THREE PLACE DECIMAL ± 0.005 TWO PLACE DUAL (mm) [±0.12]</small>	<small>DRAWN</small> RDA	<small>DATE</small> 1/27/2020	 LINKTECH <small>DRINK EQUIPMENT TECHNOLOGY, LLC</small>	
	<small>CHECKED</small> HRC	<small>DATE</small> 1/27/2020		<small>PART NO.:</small> 10ACV2-M3BLK
	<small>ENG APPR.</small> HRC	<small>DATE</small> 2/18/20		<small>DESCRIPTION:</small> LinkTech 10AC Series Inline Coupling, Valved, 1/8" HB BLACK ACETAL
	<small>MFG APPR.</small> BDB	<small>DATE</small> 2/18/20		<small>SIZE DWG. NO.</small> C 10AC100117
<small>PRODUCTION</small> LS	<small>DATE</small> 2/18/20	<small>REV</small> A	<small>SCALE: NTS WEIGHT:</small>	
<small>PROPRIETARY AND CONFIDENTIAL</small> <small>THE INFORMATION CONTAINED IN THIS DRAWING IS THE SOLE PROPERTY OF LINKTECH LLC. ANY REPRODUCTION OR DISCLOSURE IN PART OR AS A WHOLE WITHOUT THE WRITTEN PERMISSION OF LINKTECH LLC IS STRICTLY PROHIBITED.</small>	<small>COMMENTS:</small>	<small>SHEET 1 OF 1</small>		